



# EW220120

## N Female Connector 4 Hole Flange Mount Pin Terminal

### Electrical Performance

Parameter	Units	Min	Typ	Max
Frequency	GHz	0		18
Impedance	Ohm		50	
VSWR				1.35
Operating Voltage (AC)	V			1,000

### RF Connector Style

Connector Type	N Female
Impedance	50 Ohm
Interface Specification	MIL-STD-348A
Body Orientation	Straight
Interface	Pin Terminal
Termination	Solder
Mounting	4 Hole Flange

### Material

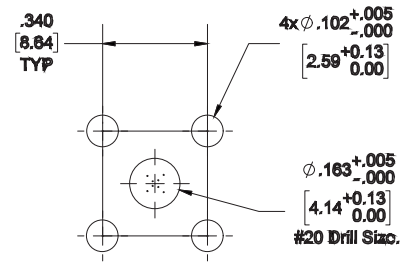
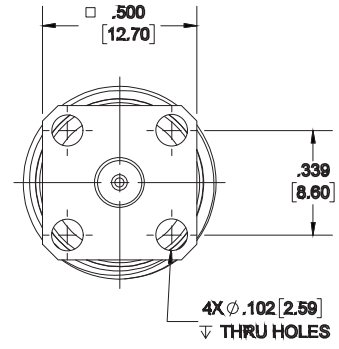
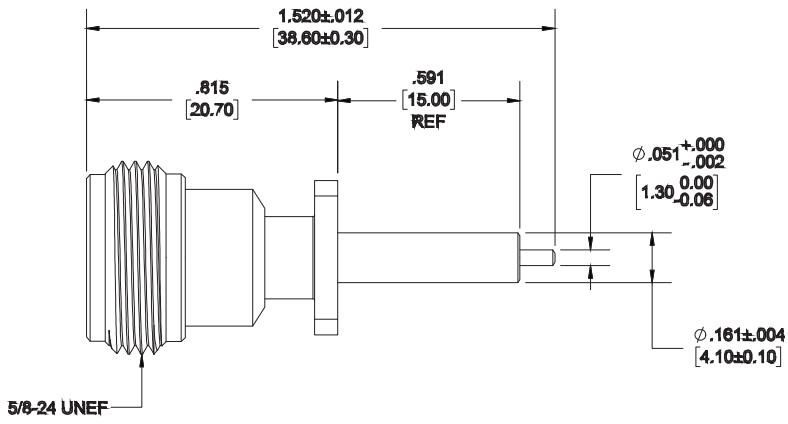
Length	1.518 in
Width	0.625 in
Operating Temperature	-65 to +165 °C
Inner Conductor	Brass (Gold Plated 30 µin minimum)
Insulation	PTFE
Body	Brass (Nickel Plated 100 µin minimum)

### Product Description

At eWaveRF, we have RF & microwave coaxial connectors in-stock and ready to ship same-day from our Southern California headquarters. eWaveRF coaxial connectors are available in a wide array of interface types including, but not limited to: 1.0/2.3, 10-32, 3/4"-20 Twinax, 7/16 DIN, BNC, BNC Twinax, C, F, HN, LC, MCX, MHV, Mini SMB, Mini UHF, MMCX, N, SC, SHV, SMA, SMB, SMC, SMP, SSMA, SSMB, TNC, UHF, and UMCX.

The EW220120 is a N female coaxial RF connector. This coaxial connector can be installed using a solder attachment method. The eWaveRF EW220120 has an impedance of 50 ohms and has an operating frequency of DC to 18 GHz. This RF connector features a VSWR of 1.35:1 and is RoHS compliant.

# Drawings



**MOUNTING HOLE**